

HANECO LED CANOPY LIGHT INSTALLATION GUIDE

BENZINA^{G3}

Thanks for choosing our **BENZINA^{G3}** canopy light products.
We strongly recommend that you read this manual carefully before installation.

⚠ WARNING

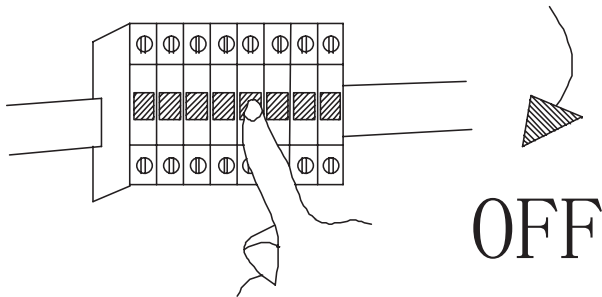
- Installation must be carried out by a licenced electrician and in accordance with these instructions and relevant Australian standards and local regulations.
- Do not install any luminaire near any heat source.
- Before the installation make sure you have turned OFF the electricity supply.
- Ensure the product is connected to a 220-240V AC 50/60Hz power supply.
- If the external flexible cable or cord of this luminaire is damaged, it shall be exclusively replaced by the manufacturer or by a service agent or licenced electrician in order to avoid hazard.
- Non-user replaceable light source.
- The warranty is void if product is not installed according to the instructions.
- Installers must ensure that the fitting selected is appropriate for the intended application and environment, consistent with Haneco's published product specifications.
- To maintain optimal performance, fittings should be kept clean to prevent excessive buildup of dust or debris, with periodic cleaning carried out as appropriate to site conditions.
- Products should not be exposed to harsh chemicals or corrosive substances that fall outside the published product specifications, as such conditions may affect performance or warranty coverage.
- Please refer to Haneco's warranty document for full details on the conditions of warranty.

Product Specification:

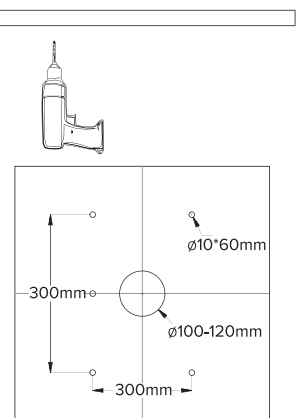
Product Code	Input	CCT	Power	Dimming Method	IP Rating	IK Rating	Operating Temp	Colour
BENZINA150WG3	100- 240Vac, 50/60Hz	5000 K	75/100/120/150W	0-10V dimmable	IP65	IK08	-30°C - 45°C	White
BENZINA150W4K-G3	100- 240Vac, 50/60Hz	4000 K	75/100/120/150W	0-10V dimmable	IP65	IK08	-30°C - 45°C	White
BENZINA200WG3	100- 240Vac, 50/60Hz	5000 K	100/150/165/200W	0-10V dimmable	IP65	IK08	-30°C - 45°C	White
BENZINA200W4K-G3	100- 240Vac, 50/60Hz	4000 K	100/150/165/200W	0-10V dimmable	IP65	IK08	-30°C - 45°C	White

Installation Instructions

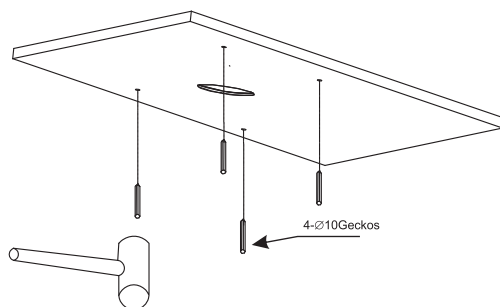
- 1** Switch off main power.



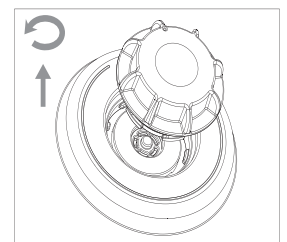
- 2** Drill holes on desired mounting surface as illustrated below.



- 3** Use hammer to hammer the expansion screw into the hole punched.



- 4** Remove IP65 cover to access the power dip switch. Adjust to the desired power setting.
Note: Fitting are preset with the highest wattage. To adjust lower wattage, turn dip switch to **ADJ.**



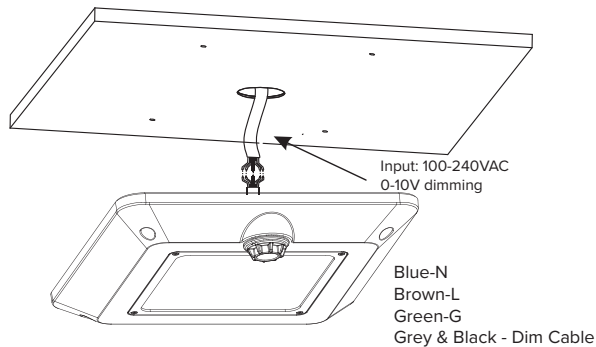
HANECO LED CANOPY LIGHT INSTALLATION GUIDE

BENZINA^{G3}

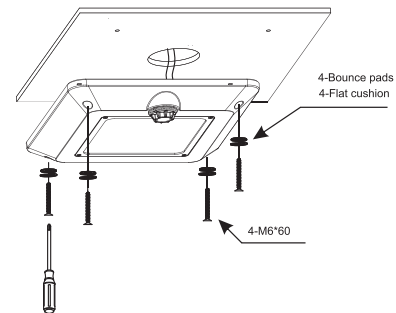
Thanks for choosing our **BENZINA^{G3}** canopy light products.
We strongly recommend that you read this manual carefully before installation.

Installation Instructions

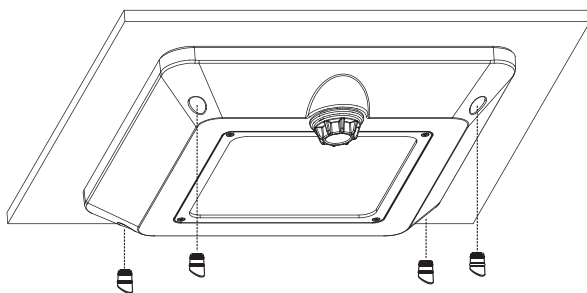
5 Connecting the input table.



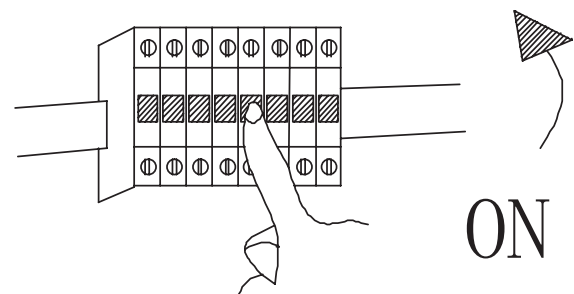
6 Fix the lamp body to the ceiling with screws.



7 Install 4 PCS rubber plugs into holes.



8 Finish the installation and switch-on main power.



Accessory information (Accessories not included)

Haneco provides a comprehensive selection of accessories designed to support a wide range of installation requirements. The accessories listed below are fully compatible with the **BENZINA^{G3}** series. For detailed installation procedures, please refer to the specific installation guide provided with each accessory.

Product Code	Description	Description
BENZINAG3-SBOX	2002716	SURFACE MOUNT BOX
BENZINAG3-RCBOX	2002731	RECESSED MOUNT BRACKET
BENZINAG3-FLBKT	2002732	FLANGED MOUNT BRACKET
BENZINAG3-GLCOVER	2002733	GLASS COVER
BENZINAG3-PNBOX	2002734	PENDANT MOUNT BRACKET
HIGHBAY-REMOTE	2002282	REMOTE CONTROL OF SENSOR
HANECO-DC	4400988	DALI TO 0/1-10V SIGNAL CONVERTOR IP65
SKYLUX-G5/EV-MS	2002438	MICROWAVE SENSOR